



Ultimate Arcade

By CyberTech Design
www.cybertechdesign.net

I. Disclaimer

While the information provided in this document is believed to be accurate, it may include technical inaccuracies or typographical errors. CyberTech Design does not guarantee satisfactory results from reliance upon any such information, and disclaims all liability for loss or damage of any kind arising out of its use. The information contained within this document is for the construction of the Ultimate Arcade II "cabinet" and does not include information on electrical components. Please refer to the equipment's installation manual for assembly/installation procedures.

This publication is provided "AS IS" and CyberTech Design does not MAKE ANY EXPRESS OR IMPLIED REPRESENTATION OR WARRANTY AS TO THE FITNESS, MERCHANTABILITY OR ANY OTHER MATTER WITH RESPECT TO THE PRODUCTS PROCESSES OR EQUIPMENT OR ANY MANUFACTURER OR SUPPLIER REFERRED TO HEREIN, OR ANY PRODUCT OR EQUIPMENT MANUFACTURED, PRODUCED OR SOLD BY ANY SUCH MANUFACTURER OR SUPPLIER, whether used alone or in combination with any other product, materials or equipment.

Before adopting any of the recommendations or suggestions contained herein, we urge you to determine for yourself whether the advice or procedures should be adopted for your use. Nothing contained herein is to be construed as a recommendation to use any information, product, process or equipment in conflict with any patent trademark.

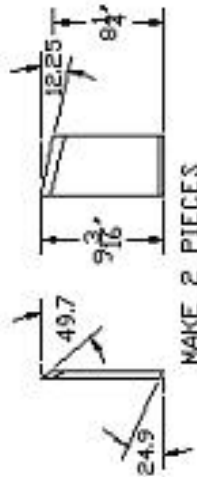
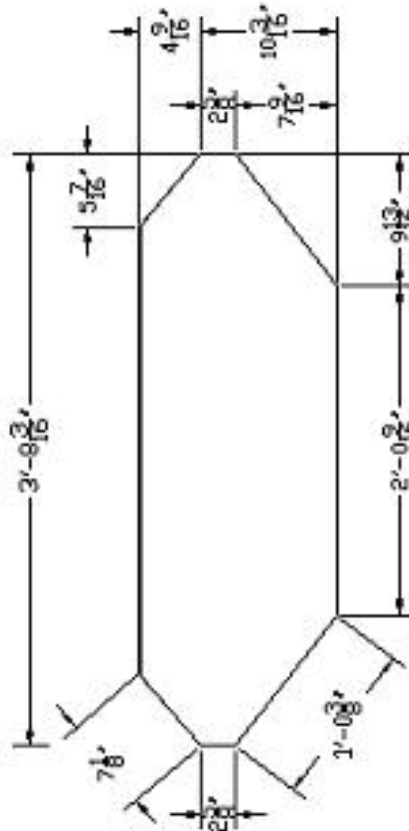
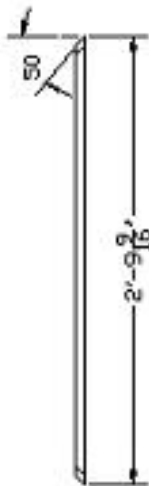
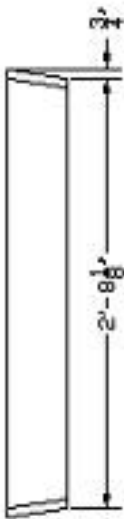
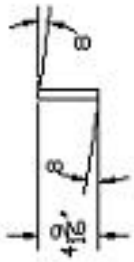
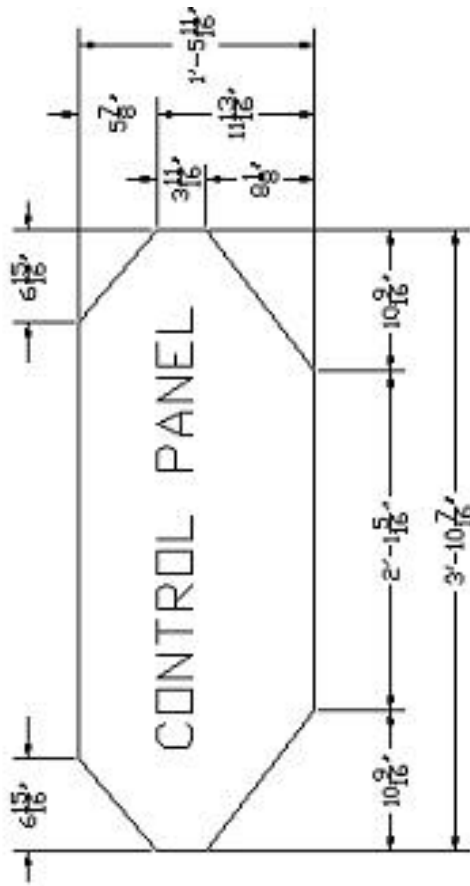
The information (including, without limitation, the photographs and artwork) contained in this document may not be distributed, modified, reused, reposted, or otherwise used without the express written permission of CyberTech Design.

Please use safety goggles when cutting materials and during assembly.

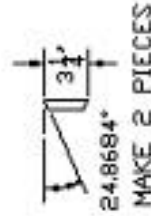
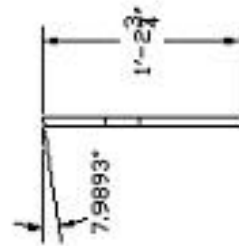
Control Panel Details

NOTE: All dimensions have a tolerance of +/- 1/16"

All of the control panel side pieces must be laminated before miter cutting.

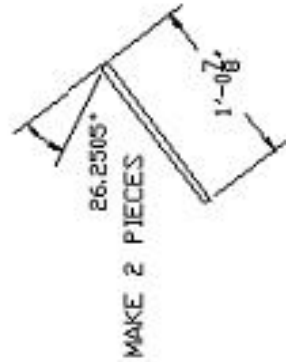
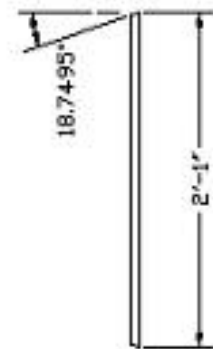


MAKE 2 PIECES



MAKE 2 PIECES

ALL SIDE PIECES ARE 4 - 7/16" TALL

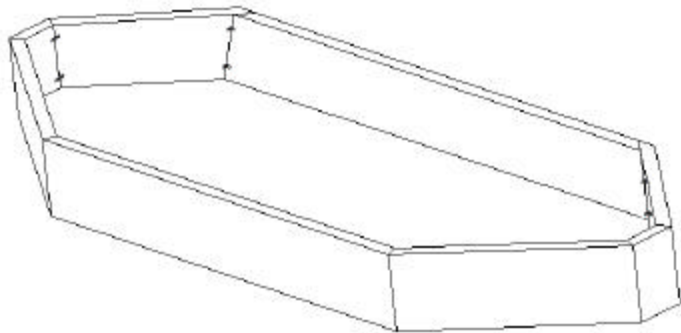


MAKE 2 PIECES

Step 1

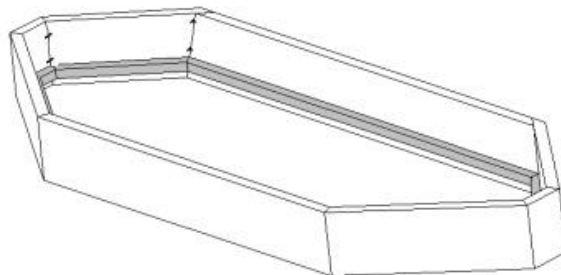
The Control Panel

All of the control panel side pieces must be laminated before miter cutting. Using a miter saw, cut the miter angles on all control panel side pieces.



Step 2

Use wood glue to fasten all control side panel pieces together. Once the glue is dried, use L-brackets and $\frac{1}{2}$ " wood screws to secure all pieces together. The L-brackets will have to be bent to conform to the inside angles of the control panel.

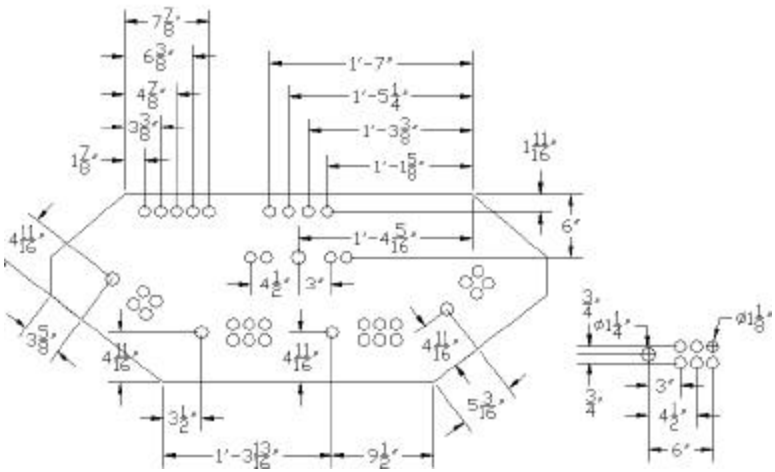


Step 3

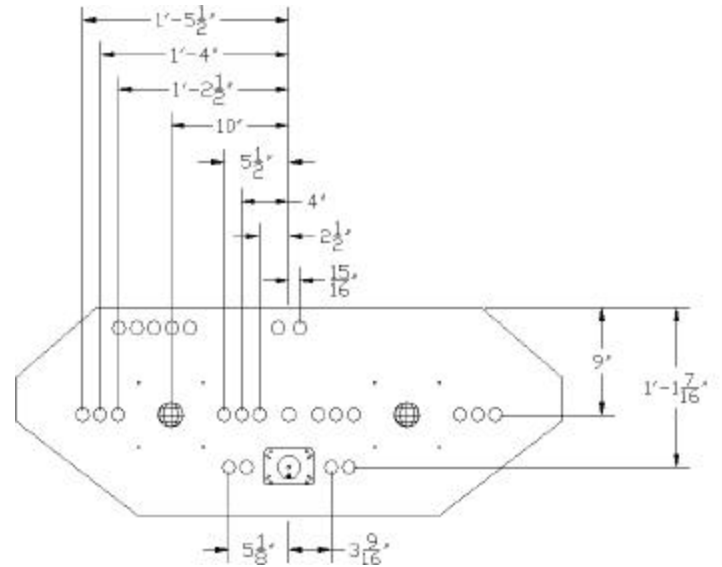
Use scrap strips of wood to create a recessed lip $\frac{5}{8}$ " in from the bottom of the control panel. Secure the wood strips using wood glue and $\frac{1}{2}$ " wood screws. The bottom of the control panel will be secured to this lip.

The control panel top may vary depending on the type and number of controls to be used. Below are two different style control panels that may be used as a template or for reference: If you need assistance in adding/removing/changing controls and need a custom control panel designed for you, please send an email to cyberpunk@cybertechdesign.net.

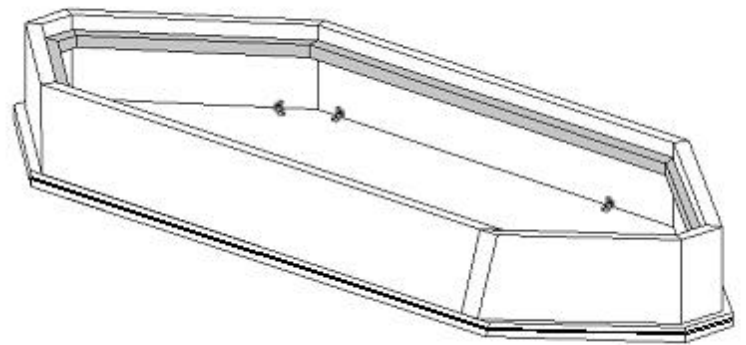
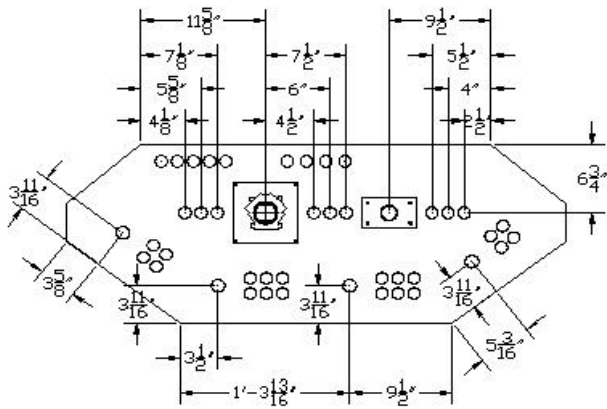
4-Player Joystick Panel



2-Player Trackball/Spinner Panel



4-Player Joystick/Trackball/Spinner Panel



Step 4

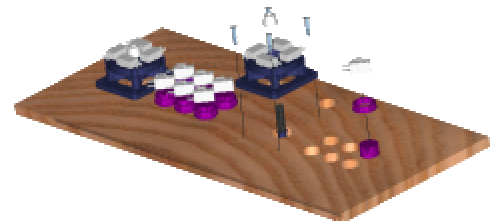
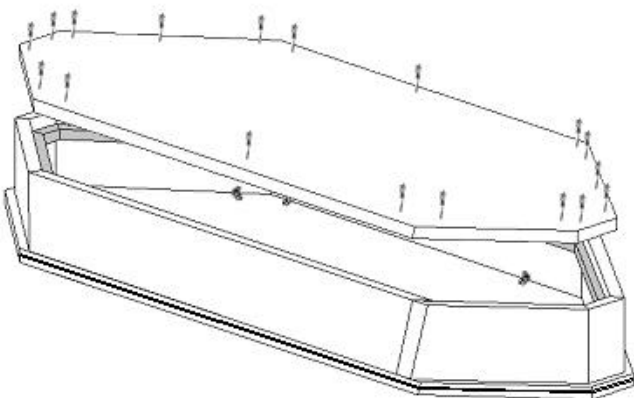
Using a 1/16" slot cutting bit and a router, cut a slot all the way around the control panel top. Cut/drill the appropriate holes in the control panel top. Laminate the control panel top and paint the bottom with flat black paint

Step 5

Attach the assemble control panel base to the top of the control panel using L-brackets and 1/2" wood screws as shown. The back of the control panel top must be flush with the control panel base. This is the side that will be butted up against the finished cabinet.

Step 6

At this point, all of the controls should be installed and wired to the keyboard encoder (IPAC). Instructions on control installation will vary upon the type of control. Please refer to the control's installation instructions and the IPAC's installation/wiring instructions.



Step 7

Attach the bottom of the control panel using 1-1/2" wood screws as shown to the left. Paint the bottom of the control panel using flat black paint.

Step 8

Attach t-molding to control panel.